

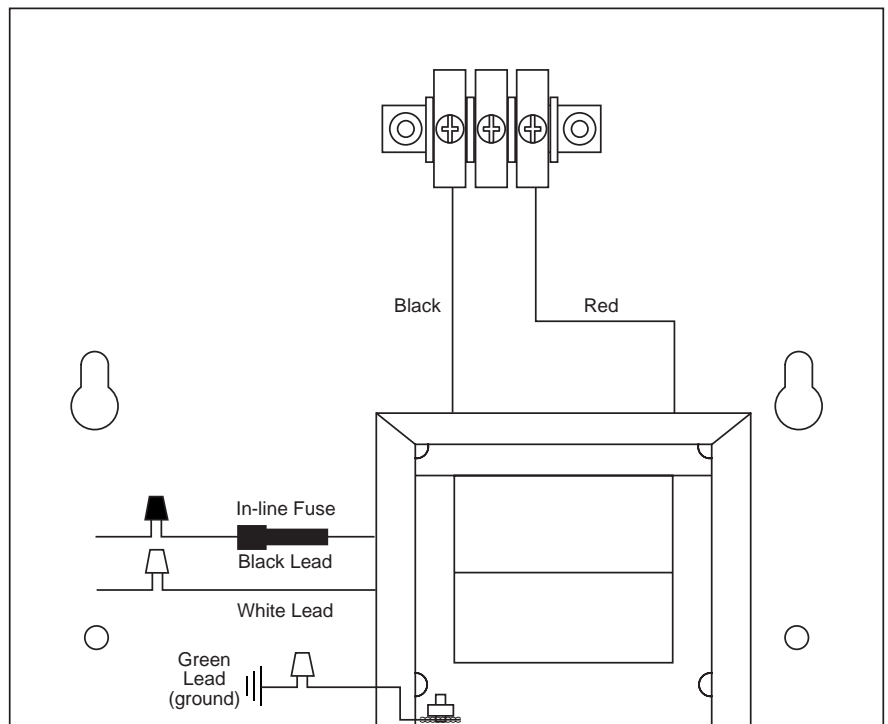
Specifications Table:

Model	Output
T12100C	12VAC/100VA
T1656C	16VAC/56VA
T16100C	16.5VAC/100VA
T24130C	24VAC/100VA
T24175C	24VAC/175VA
T2856C	28VAC/56VA
T2885C	28VAC/100VA
T28140C	28VAC/175VA

Replace in-line fuse with 250V,
3.5 amp Fuse Only.

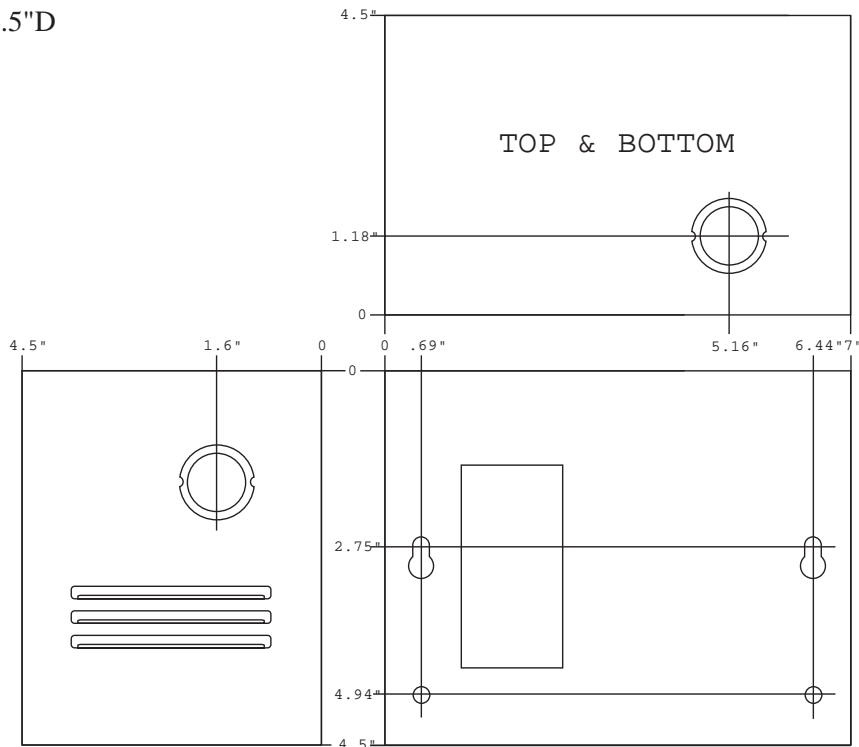
120VAC Input
(220VAC models are available
upon request).

Low Voltage AC Output
(see Specifications Table).



Enclosure Dimensions:

5.625"H x 7"W x 4.5"D



Altronix is not responsible for any typographical errors. Product specifications are subject to change without notice.