

Overview:

The Altronix ALTV1224I CCTV Power Supply is specifically designed to power CCTV cameras which are not equipped with internal isolation, however it can operate cameras with built-in isolation as well. It will provide 12VAC or 24VAC distributed via eight (8) completely isolated fuse protected outputs.

Specifications:

- Input 115VAC 50/60 Hz, .6 amp.
- 12VAC or 24VAC selectable output.
- Eight (8) completely isolated fuse protected outputs.
- Each output is rated at .5 amp (*Fig. 3*).
- Fuses are rated at .5 amp / 250 VAC (*Fig. 3*).

Enclosure Dimensions:

12.25" H x 7.75" W x 4.5" D

24VAC

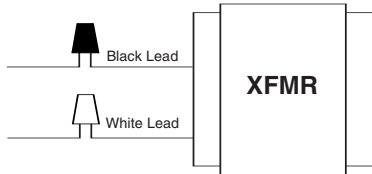


Fig. 1

12VAC

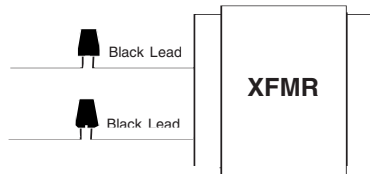


Fig. 2

Installation Instructions:

1. Mount ALTV1224I enclosure in desired location.
2. Connect 115VAC input power to xfmr leads using the following procedure:
 - a) For power supply to provide **24VAC output** (*Fig. 1*) connect 115VAC input power to the white transformer lead and either (**not both**) of the black transformer leads (in this configuration one black transformer lead is not used).
 - b) For power supply to provide **12VAC output** (*Fig. 2*) connect 115VAC input power to each of the black transformer leads (in this configuration the white transformer lead is not used).
3. Measure output voltage before connecting devices. This helps avoid potential damage.
4. Connect CCTV cameras to output terminals using the following procedure:

- Camera 1 to output terminals 1A & 1B
- Camera 2 to output terminals 2A & 2B
- Camera 3 to output terminals 3A & 3B
- Camera 4 to output terminals 4A & 4B
- Camera 5 to output terminals 5A & 5B
- Camera 6 to output terminals 6A & 6B
- Camera 7 to output terminals 7A & 7B
- Camera 8 to output terminals 8A & 8B

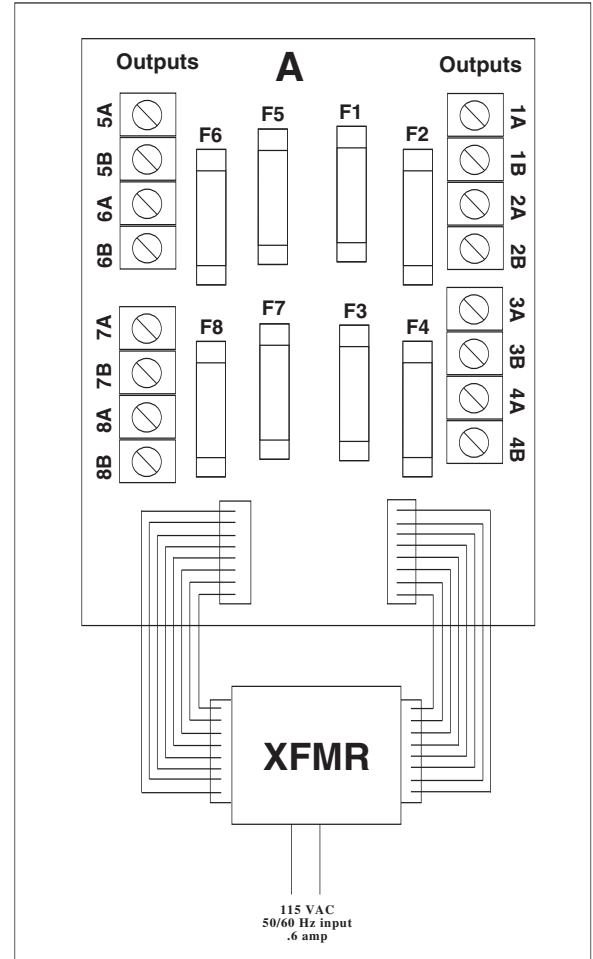
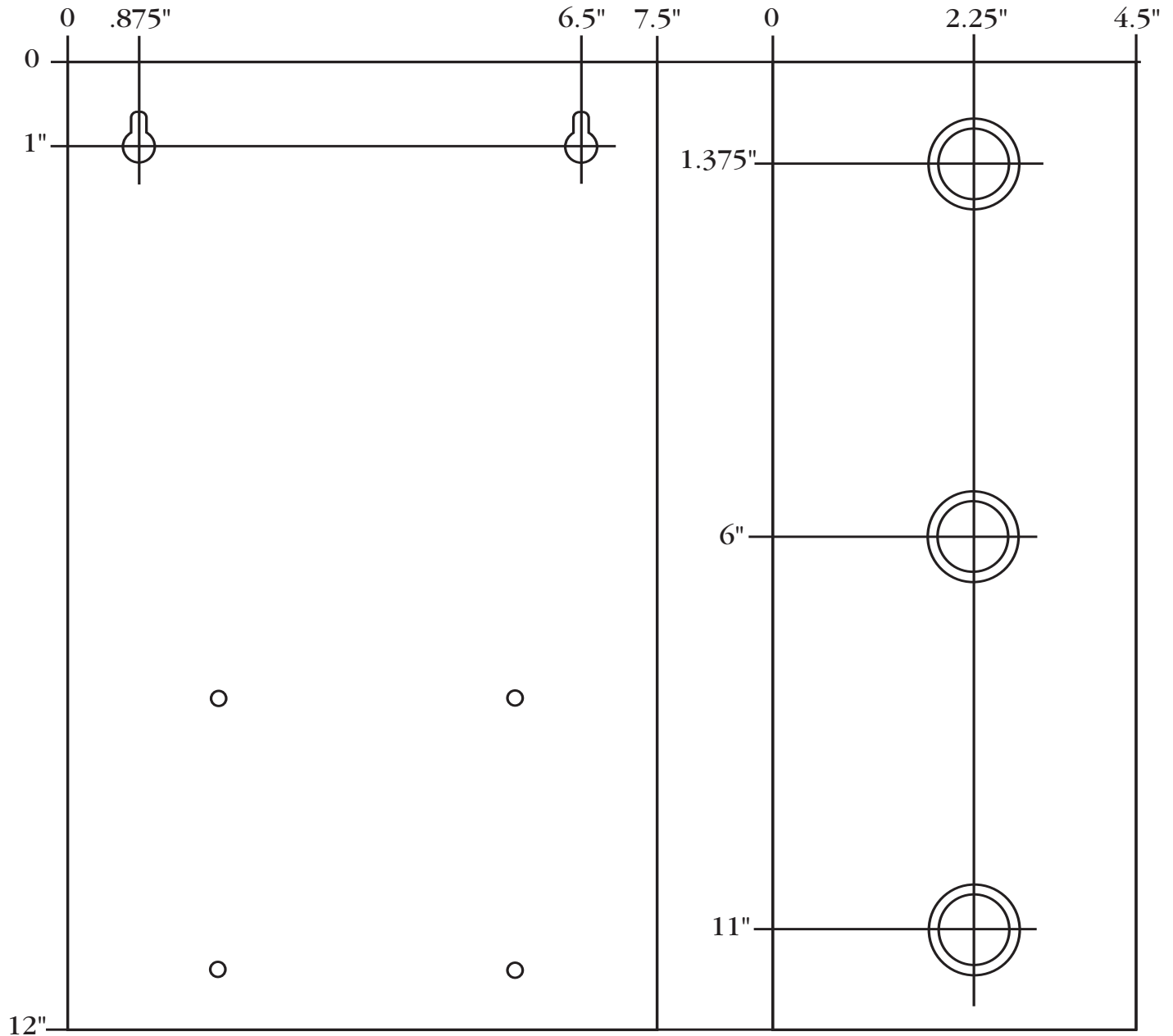


Fig. 3

Warning: To reduce the risk of fire or electric shock, do not expose the unit to rain or moisture. This installation should be made by qualified service personnel and should conform to all local codes in accordance with the National Electrical Codes.

Enclosure Dimensions:
12.25" H x 7.75" W x 4.5" D



Altronix is not responsible for any typographical errors.

